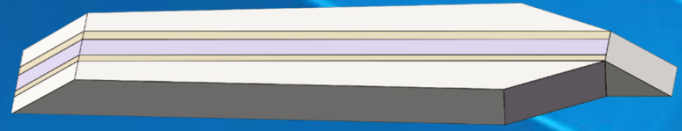


Crystal Planar Waveguide

Sm:YAG+ Nd:YAG+ Sm:YAG Slab



GENERAL DESCRIPTION

The planar waveguide architectures design with a Nd:YAG core and introduce the ASE suppression material Sm:YAG as claddings. The pump light input uses wedge angle configuration to get corner-pumped Zigzag gain, which provides full absorption of pump light, and greatly improve the pumping efficiency. The innovative crystal planar waveguide is ideal for lasers with wide temperature operating ($-40^{\circ}\text{C}\sim+60^{\circ}\text{C}$) requirements, like high efficiency Q-switched laser without temperature control.

SERVICE

We design and develop composite crystals which are optimized to meet the specific requirements of your applications.

APPLICATIONS

- High performance DPSS lasers

FEATURES

- With ASE suppression material as cladding
- Corner-pumped
- Zigzag gain design
- High efficiency pump absorption

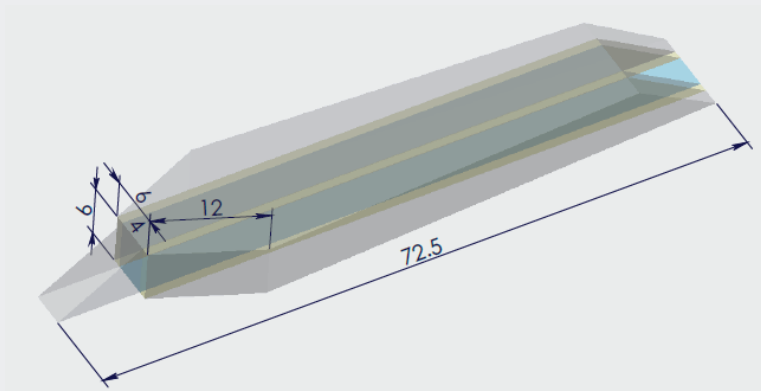
Specifications

Sm: YAG + Nd: YAG +

Parameter	CPW-YAG-Nd-4	CPW-YAG-Nd-6
Core dopant type, Concentration	Nd: YAG, 0.5at. %	Nd: YAG, 1.0at. %
Core cross section	4mm x 4mm	6mm x 6mm
Nd:YAG length	72.5mm	80.5mm
Pumping method	Two corner-pumped	
End-face configuration	31°	
Side specifications	Polished, 3°	
Coating	End-face: AR@1064nm Pumping- face: AR@808nm Side-face: HR@808nm Up and down-face: HR@808nm +@1064nm	

Dimensions

Unit: mm



4in1 Photonics LLC.
 8407 Central Avenue, Suite#2084
 Newark, CA 94560, US
www.4in1photonics.com

China office
 Rm.705, Block E, Taihua Longqi Square
 Huangping Rd. Changping Dist., BJ, 100096
 Tel: +86 10 82911602